

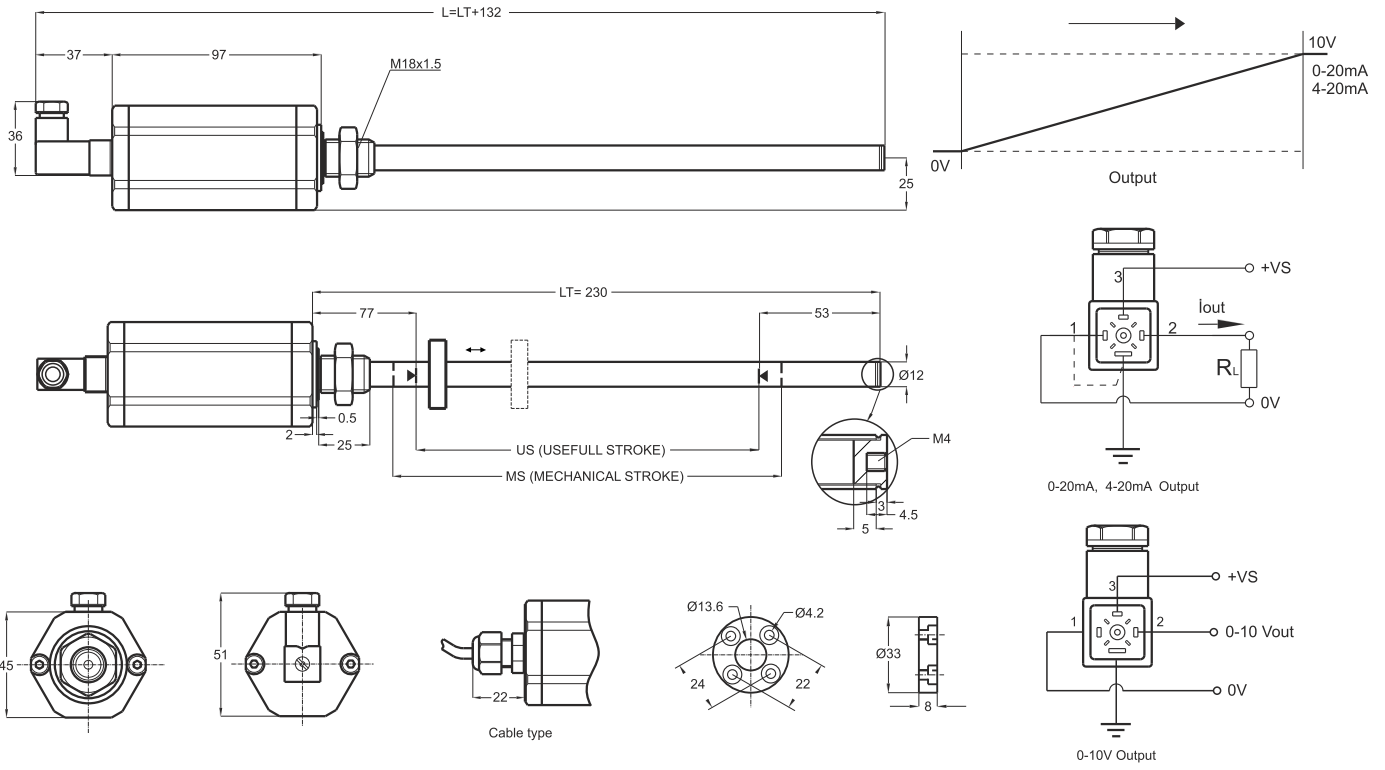
Magnetostrictive Position Sensor

- Measuring range 100 - 900 mm
- 16 bit resolution
- Output 0...10V, 4-20mA, 0-20mA
- 24 VDC power supply



Technical specifications

Measurement stroke	100 to 900 mm
Resolution	16 bit
Repeatability	< 0.05 mm
Output	0...10V, 4-20mA, 0-20mA
Power supply	24 VDC \pm 10%
Permissible applied voltage	30 VDC max.
Displacement speed	< 10 m/s
Sampling rate	1 KHz
Max. consumption	50mA
Max. output noise	< 5mVpp
Max. output value	10.5 Volt
Reverse polarity protection	Yes



MST (mm)	100	200	300	400	500	600	700	750	800	850	900
US (Usefull Stroke)	100	200	300	400	500	600	700	750	800	850	900
MS (Mechanical Stroke)	120	220	320	420	520	620	720	770	820	870	920
LT	238	338	438	538	638	738	838	888	938	988	1038
L (Total Length)	370	470	570	670	770	870	970	1020	1070	1120	1170

Model	Measurement stroke	Resolution	Output	Connector / Cable
(example) MST	900	A	V10	C2
MST	100 ... 900mm	A : 16 bit	V10 : 0-10V I 04 : 4-20mA I 20 : 0-20mA	C2 : 4 pin connector 1M : 1 meter cable 2M5 : 2,5 meter cable